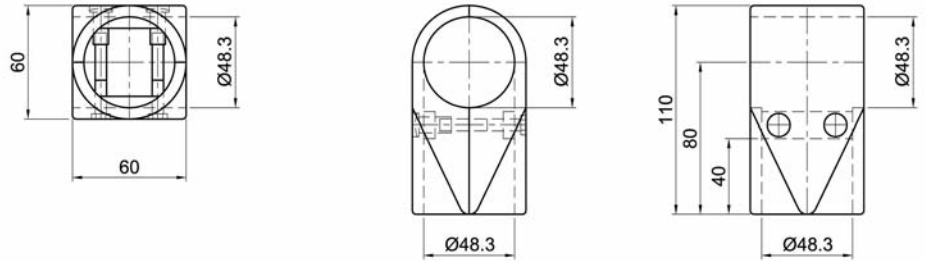




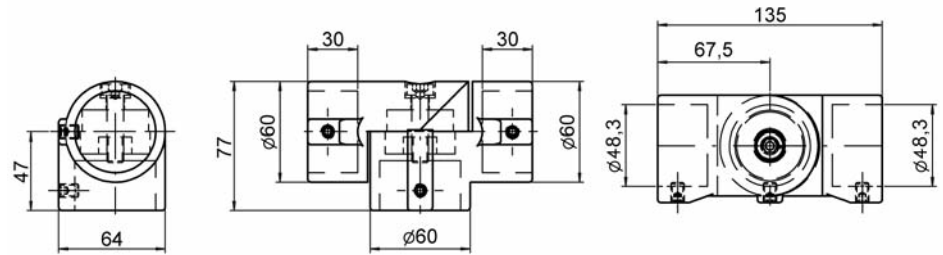
Bestell-Nr. **RV-5040\***  
Order no.

### T-Verbinder, 2-schalig T-Connector, 2-shell



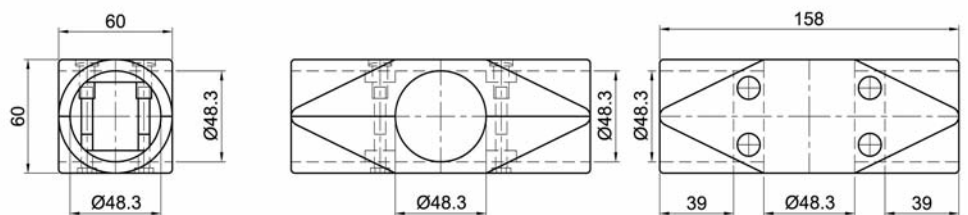
Bestell-Nr. **RV-5021 a\***  
Order no.

### T-Gelenkverbinder, 1-schalig T-joint connector, 1-shell



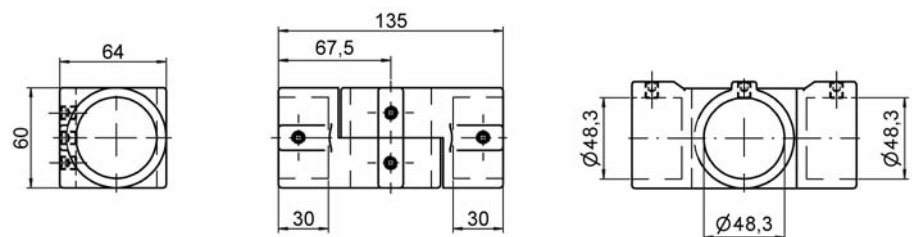
Bestell-Nr. **RV-5041\***  
Order no.

### Kreuz-Verbinder, 2-schalig Cross-connector, 2-shell



Bestell-Nr. **RV-5022 a\***  
Order no.

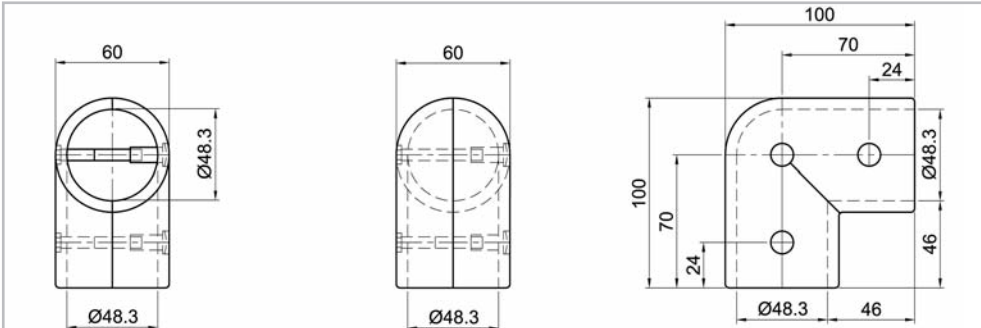
### Kreuz-Gelenkverbinder, 1-schalig Cross-joint connector, 1-shell



Ø  
**48.3**  
mm  
1 1/2"

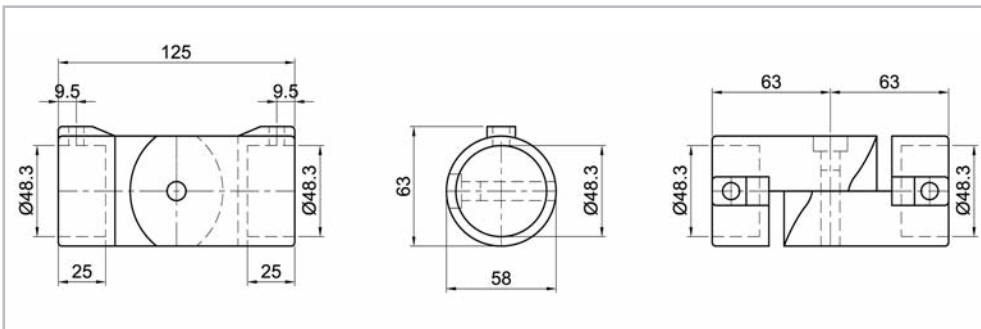
### Winkel-Verbinder 90°, 2-schalig Angle-connector 90°, 2-shell

Bestell-Nr. **RV-5045\***  
Order no.



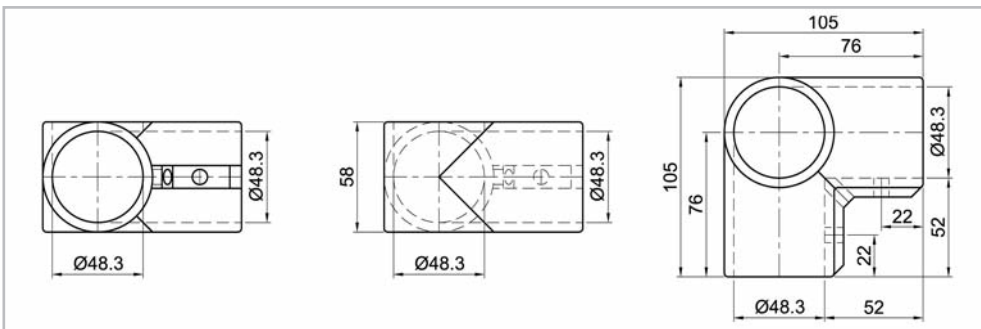
### Winkel-Gelenkverbinder, 1-schalig Angle joint connector, 1-shell

Bestell-Nr. **RV-5114\***  
Order no.



### Eck-Verbinder 90°, 1-schalig Corner connector 90°, 1-shell

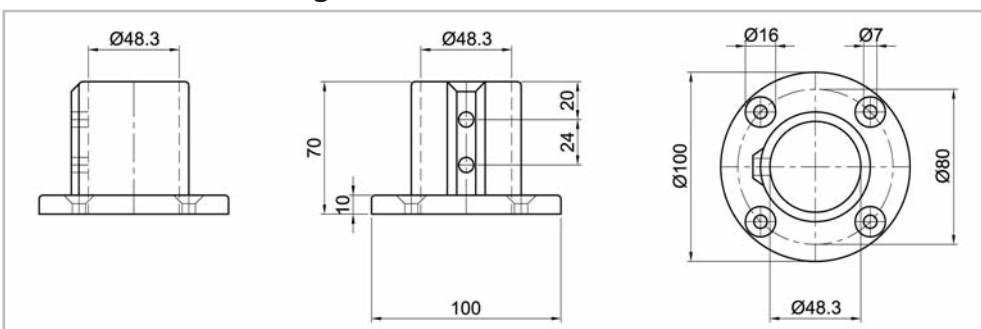
Bestell-Nr. **RV-5042\***  
Order no.



Ø  
**48.3**  
mm  
1 1/2"

### Bodenlager, 1-schalig Ground bearing, 1-shell

Bestell-Nr. **RV-5043\***  
Order no.

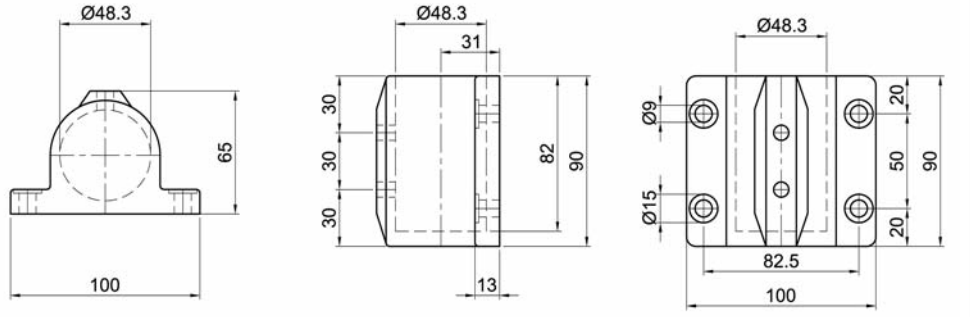


\* mit Oberflächen-Bestell-Code ergänzen (siehe Seite 282–283)  
to add surface-order-code (see page 282–283)



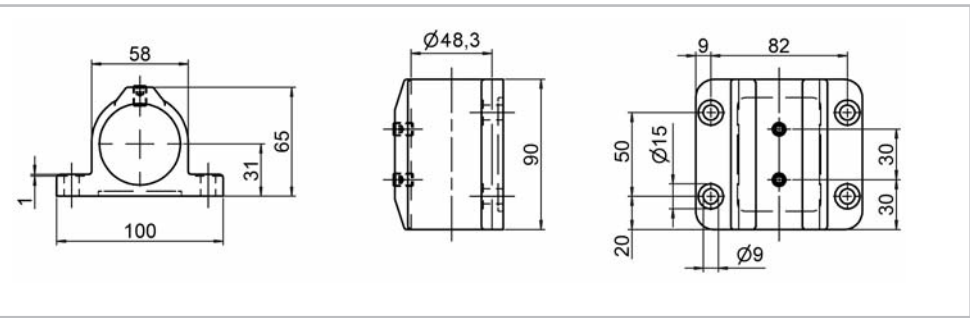
Bestell-Nr. **RV-5044\***  
Order no.

### Wandlager, 1-schalig Wall bearing, 1-shell



Bestell-Nr. **RV-5044 a\***  
Order no.

### Wandlager, 1-schalig Wall bearing, 1-shell



$\text{Ø}$   
**48.3**  
mm  
1 1/2"